

City of NAPOLEON, OHIO

255 RIVERVIEW AVENUE — (419) 592-4010

June 17, 1983

816 DAGGETT



PLAN REVIEW

Mayor

Robert G. Heft

Clerk-Treasurer

Rupert W. Schweinhagen

Members of Council

Darel Austermilller, President

James Jackson

William Young

Lawrence Haase

Darrell Fox

James Zumfelde

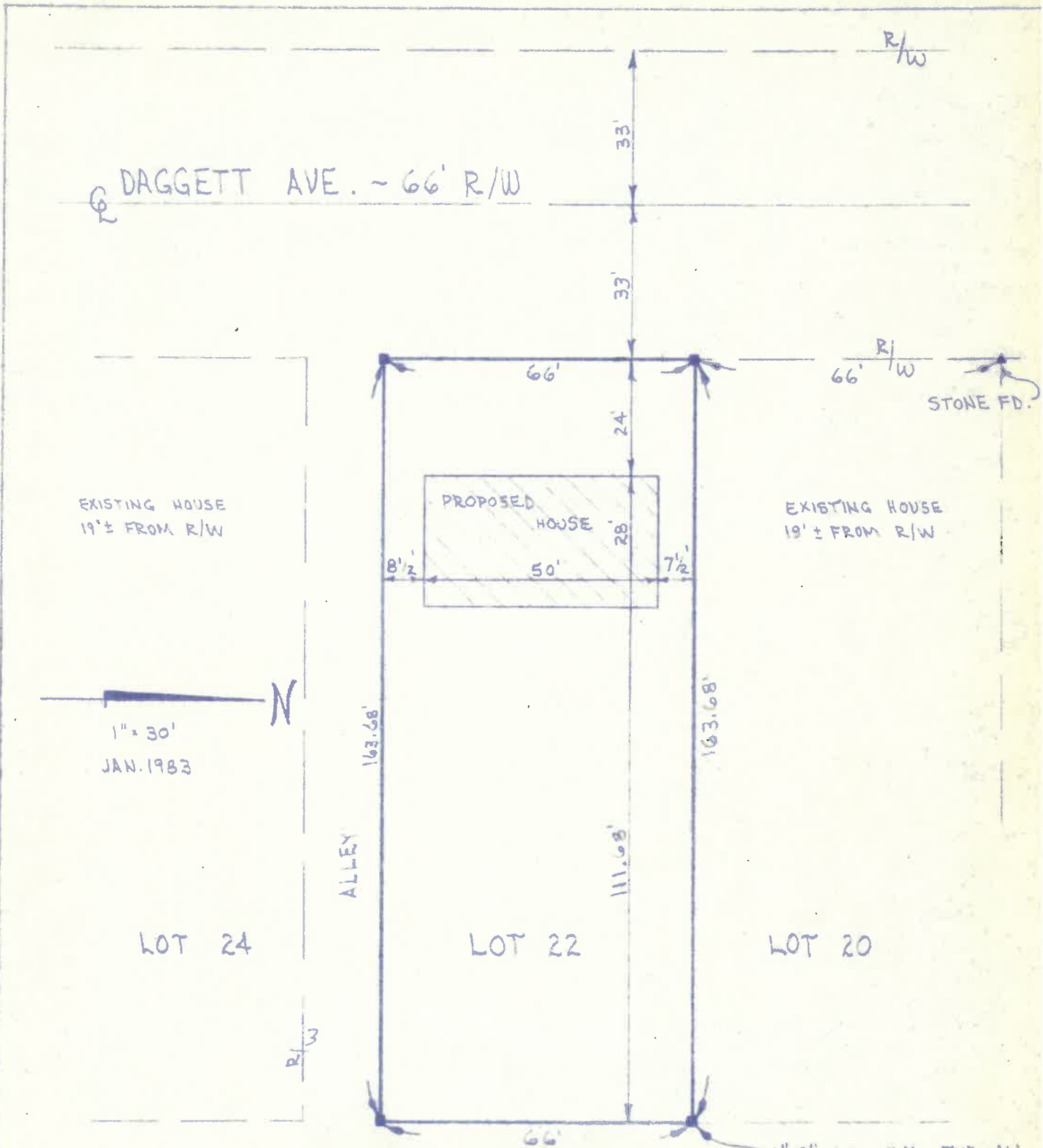
City Manager

Richard A. Hayward

Law Director

Keith P. Muehlfeld

1. Electrical not shown. Drawn in receptacles may be moved one way or other but not reduced in number.
2. Stairway shall have light and 3-way switch.
3. Door opening at top of stairs shall be a minimum of 3 ft. in width.
4. Ceiling lights may be eliminated if receptacle is switched.
5. Walk-in closet shall have one light and one receptacle.
6. Bath receptacle shall be on GFCI breaker.
7. Light in bath may be switched on area over sink.
8. Smoke detector shall be required at foot of stairs in hall.



DAGGETT AVE. ~ 66' R/W

EXISTING HOUSE
19' ± FROM R/W

EXISTING HOUSE
19' ± FROM R/W

PROPOSED
HOUSE

1" = 30'
JAN. 1983

LOT 24

LOT 22

LOT 20

ALLEY

SITE PLAN FOR
KARL WEICHERS

2"x2" WOOD HUB TYP. ALL
CORNERS - RE-ESTABLISHED
FROM SURVEY BY C. GERKEN

LOT #22 OF DAGGETTS SUBDIV.
OF OUTLOT #7, CITY OF
NAPOLEON, WYOMING

(d) The original(s) of the "Letter of Certification" issued by the board with serial number(s) corresponding to unit insignia number(s).

(2) The chief building official shall field inspect the assembly of the industrialized unit as follows:

(a) All on-site work required to complete the installation of the industrialized unit, in conformance with the applicable provisions of the Administrative Code;

(b) Completion of one-hour fire separation walls between tenants; and

(c) Damage to the unit resulting from transportation or lack of proper protection of exposed parts from inclement weather or other causes shall be repaired.

(G) Identification:

(1) All industrialized units produced under this authorization shall be marked by insignia furnished by the board bearing an identifying number for each module. The insignia shall be attached on the inside of the cover of the electrical panel in modules having an electrical panel, and on the inside of the closet door of the largest bedroom in modules not having an electrical panel.

(2) Approved control by the board of the materials and processes used in the manufacture of these industrialized units is a condition of the authorization.

(H) Supporting documents:

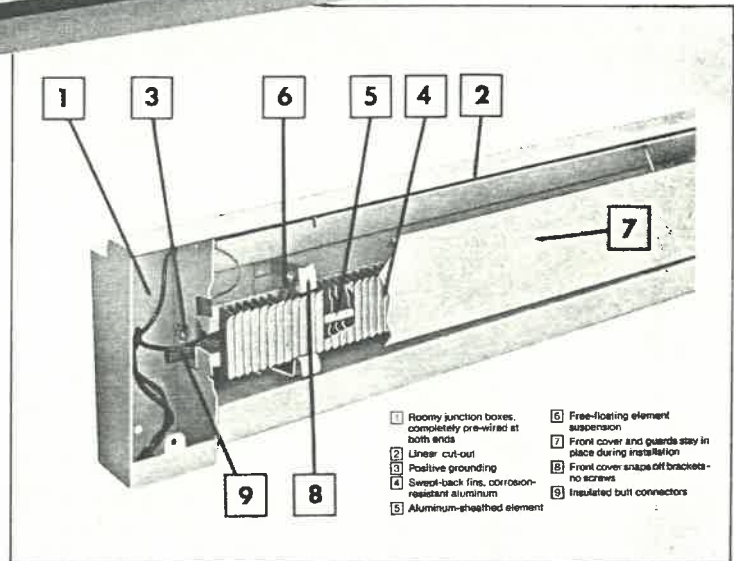
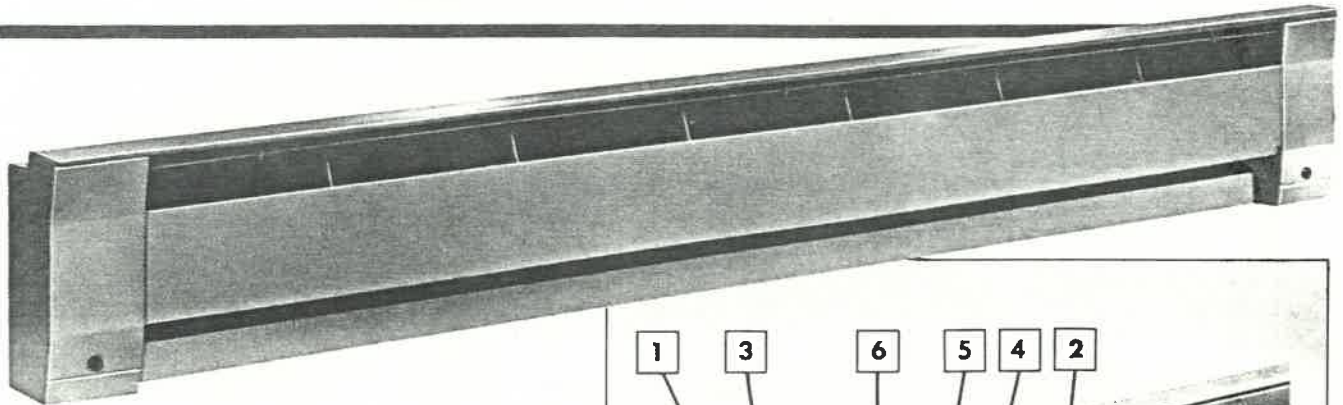
The plans, specifications, and supporting documents for this authorization are identified, dated, and filed with the secretary of the board in Columbus, Ohio.

MBB-M SERIES

ELECTRIC CONVECTOR BASEBOARD HEATER

- ☒ CLEAN, COMFORTABLE, ELECTRIC HEAT
- ☒ ENERGY SAVING INDIVIDUAL ROOM CONTROL
- ☒ SUSPENDED, NOISE-FREE ELEMENTS
- ☒ MOUNTS FLUSH ON ANY FLOOR SURFACE
- ☒ VIRTUALLY MAINTENANCE-FREE
- ☒ UNITIZED BODY—COMPLETELY WELDED
- ☒ WIRED WITH 60°C SUPPLY CONDUCTOR
- ☒ COMPLETE AND UNIFORM PAINTING

BERKO



APPLICATIONS

The MBB-M, with its complete line of accessories and controls, can solve the space heating needs of virtually any type residential and commercial structure. Individual room control allows you to heat—or not to heat—each room separately for utmost energy savings. Select exact temperatures, room by room.

FEATURES

NOISE-FREE SUSPENSION

Noise-free suspension of heating element within the heater is obtained through Berko's unique hinge-hanging system. This free-floating prevents expansion/contraction noises.

SWEPT-BACK ALUMINUM FINS

Berko's "swept-back" aluminum fin design redirects the heat radiating from the element and adds it to the strong convection flow, thereby delivering all available heat directly into the room. It also minimizes radiation through the front cover—keeps it "cool to the touch". The large fin area and high heat conductivity speeds the transfer of heat to the air.

ALUMINUM SHEATHED ELEMENT

Aluminum sheathed element assures long, trouble-free life and eliminates annoying AC hum.

HEATS CLEAN, STAYS CLEAN

The MBB-M is a truly clean-operating baseboard. Note in the illustration how the top "steps away" from the wall. This extended top encloses a special deflector that directs warmed air out into the room and away from the wall.

ROOMY JUNCTION BOXES

Identical, pre-wired junction boxes at each end are big, roomy, easy to work in and are provided with knockouts on rear, bottom, inside and outside junction box walls.

CONTINUOUS HEATER INSTALLATION

When heaters are installed end-to-end, power can be run from one heater to another through mating junction box knockouts. Wiring entrance can be made anywhere along the bottom back of the heater body. Berko provides an optional "RW" raceway cover which is particularly useful when rigid metal conduit is employed.

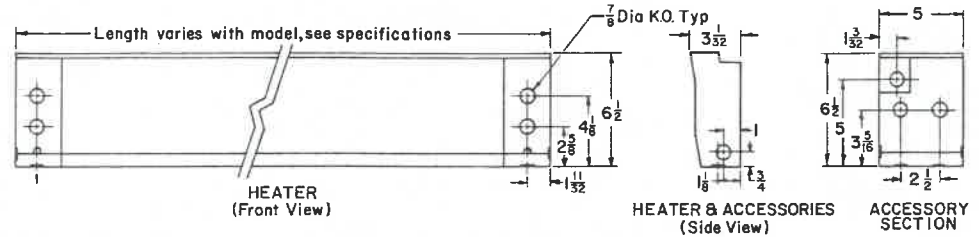
60°C SUPPLY CONDUCTORS

Berko heaters are designed in such a manner that heater operating temperatures permit the use of supply conductors with 60°C insulation.

ELECTRO-DEPOSITION PAINT SYSTEM

This advanced immersion painting system provides uniform coverage of parts including edges, ends, corners, turns, with no uneven or bare areas.

DIMENSIONS



ACCESSORIES AND CONTROLS

CATALOG NUMBER	DESCRIPTION
*T-1A, T-2A, T-1ATP, T-2ATP	Single or double pole thermostats, standard or tamper proof, 22 amps @ 120 - 240 VAC., 18 amps @ 277 VAC. 60° - 120°F temperature range. Remote bulb sensor, snap action switch.
*T-4A, T-5A	Single or double pole thermostats, 17 amps @ 120 - 277 VAC. 45 to 135°F temperature range. Bi-metal sensor, snap action switch.
**R-120, R-208 R-240, R-277	Low voltage control section, 22 amps @ 120, 208, 240 or 277 VAC.
**R-120DP, R-208DP R-240DP, R-277DP	Same as above except double line disconnect and 20 amps at voltage indicated.
**LT-1A	Line voltage load transfer section. 16 amps @ 120 - 240 VAC.
**LTR-208A, LTR-240A	Low voltage load transfer section. 16 amps @ 208 or 240 VAC.
*LT-2 LT2-120	Load transfer switch with air conditioner receptacle 208 - 240 VAC. or 120 VAC. Rocker Switch: Heat-Off-Cool.
*LT-3	Same as LT-2 except without A/C receptacle.
**DR	Duplex receptacle. Add-on or built-in. Grounded receptacle included.
**DR-6	
**RE	Empty relay box, 5" long with plain cover.
CIS, COS	Inside or outside corner joining sections: Add 3" to length on outside wall for CIS.
BS-2A BS-3A, etc.	Blank sections (finished heater body only) in 2, 3, 4, 5, 6, 8, & 10-foot lengths.
RW-2, RW-3, etc.	Raceway kits in 2, 3, 4, 5, 6, 8 or 10-foot lengths.

*built into junction box

**built into 5" add-on section

SPECIFICATIONS*

Furnish and install where indicated on plans, electric baseboard heaters suitable for continuous operation as manufactured by Berko Electric, A Marley Company, Peru, Indiana.

ENCLOSURE: The heaters shall be fabricated of minimum .022" cold-rolled steel, completely welded, then painted by immersion in an electro-deposition painting process.

HEATING ELEMENT: The heating element wire shall consist of 80% nickel, 20% chromium, and shall be encased in aluminum sheath to assure long and trouble free life and complete elimination of AC hum. Aluminum fins shall be so designed as to block sheath radiation to front and back of heater body and pressure bonded to aluminum sheath. Element leads to be in insulated wire connectors which are to be secured to both element ends and fed into terminal boxes through fiberglass sleeves to eliminate all exposed live parts in heater body. Heating element and fins are to be freely suspended from mounting brackets by use of hinges and shall not be secured to heater body at any point.

INSTALLATION: Heaters shall be designed to permit use of supply conductors with 60°C insulation.

SELECTION CHART

MBB/LBB CONVECTOR BASEBOARD HEATERS
 MBB—MEDIUM DENSITY BASEBOARD
 LBB—LOW DENSITY BASEBOARD

CATALOG NUMBER	VOLTS	AMPS	WATTS	LENGTH	SHIP WT. (LBS.) ⁴	BTU/HR
LBB2-312-M	120	3.1	376	24"	7	1283
LBB2-327-M	277	1.4	376			1283
MBB2-512-M	120	4.2	500			1706
MBB2-520-M	208	2.4	500			1706
MBB2-524-M	240/208	2.1/1.8	500/376			1706/1283
MBB2-527-M	277/240	1.8/1.6	500/376			1706/1283
LBB3-512-M	120	4.7	564	36"	9	1925
LBB3-527-M	277	2.0	564			1925
MBB3-712-M	120	6.3	750			2560
MBB3-720-M	208	3.6	750			2560
MBB3-724-M	240/208	3.1/2.7	750/564			2560/1925
MBB3-727-M	277/240	2.7/2.4	750/564			2560/1925
LBB4-712-M	120	6.3	752	48"	11	2567
LBB4-727-M	277	2.7	752			2567
MBB4-1012-M	120	8.3	1000			3413
MBB4-1020-M	208	4.8	1000			3413
MBB4-1024-M	240/208	4.2/3.6	1000/752			3413/2567
MBB4-1027-M	277/240	3.6/3.1	1000/752			3413/2567
LBB5-912-M	120	7.8	940	60"	14	3208
LBB5-927-M	277	3.4	940			3208
MBB5-1212-M	120	10.4	1250			4266
MBB5-1220-M	208	6.0	1250			4266
MBB5-1224-M	240/208	5.2/4.5	1250/940			4266/3208
MBB5-1227-M	277/240	4.5/3.9	1250/940			4266/3208
LBB6-1112-M	120	9.4	1128	72"	17	3850
LBB6-1127-M	277	4.1	1128			3850
MBB6-1512-M	120	12.5	1500			5120
MBB6-1520-M	208	7.2	1500			5120
MBB6-1524-M	240/208	6.3/5.4	1500/1128			5120/3850
MBB6-1527-M	277/240	5.4/4.7	1500/1128			5120/3850
LBB8-1527-M	277	5.4	1504	96"	24	5133
MBB8-2020-M	208	9.6	2000			6826
MBB8-2024-M	240/208	8.3/7.2	2000/1504			6826/5133
MBB8-2027-M	277/240	7.2/6.3	2000/1504			6826/5133
LBB10-1827-M	277	6.8	1880	120"	27	6416
MBB10-2520-M	208	12.0	2500			8533
MBB10-2524-M	240/208	10.4/9.0	2500/1880			8533/6416
MBB10-2527-M	277/240	9.0/7.8	2500/1880			8533/6416

GENERAL: Linear thermal cut-out shall be factory installed to automatically shut off heater in event of overheating due to any cause whatever. Raceway cover kit, type RW, for providing an enclosed raceway is optional. The complete heater shall have a maximum height of 6 1/2 inches and a maximum depth of 3 1/2 inches. Heaters shall have UL approval for mounting on any floor surface including carpeting. All surfaces of heater shall be finished in desert tan baked enamel.

*Berko reserves the right to change specifications without prior notice.



BERKO
 A Marley Company ELECTRIC

P. O. Box 188, Highway 19 North, Peru, Indiana 46970

